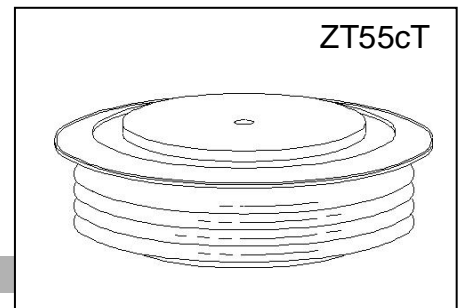




HIGH POWER FREE FLOATING TYPE RECTIFIER DIODE

Features:

- . All diffused structure
- . High surge rating
- . Blocking capability up to 6600 volts
- . Ceramic housing hermetic package
- . Pressure assembled device



ELECTRICAL CHARACTERISTICS AND RATINGS

Reverse Blocking

Device Type	V _{RRM} (1)	V _{RSM} (1)
ZP900-58	5800	6000
ZP900-60	6000	6200
ZP900-62	6200	6400
ZP900-64	6400	6600
ZP900-66	6600	6800

Notes:

All ratings are specified for T_j=25 °C, unless otherwise stated

(1) All voltage ratings are specified for an applied 50Hz/60Hz sinusoidal waveform over the temperature range 0 to +145 °C.

(2) 10 msec. max. pulse width

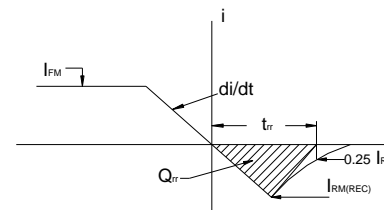
(3) Maximum value for T_j = 145 °C.

(4) See parameter definition below :

V_{RRM} = Repetitive peak reverse voltage

V_{RSM} = Non repetitive peak reverse voltage (2)

Repetitive peak reverse leakage current	I _{RRM}	5 mA 70 mA (3)
---	------------------	-------------------



REVERSE RECOVERY CHARACTERIST

Conducting - on state

Parameter	Symbol	Min.	Max.	Typ.	Units	Conditions
Average forward current	I _{F(AV)}		900		A	Sinewave 180°, T _c = 85°C
RMS forward current	I _{FRMS}		1413		A	Nominal value
Peak one cycle surge (non repetitive) current	I _{FSM}		16000		A	10 msec (50Hz), sinusoidal wave-shape, 180° conduction, T _j = 145 °C
I square t	I ² t		1.3 × 10 ⁶		A ² s	10 msec
Peak forward voltage	V _{FM}		1.50		V	I _{FM} = 1000A; T _j = 25°C
Threshold voltage	V _{FO}		1.05		V	T _j = 145°C, I = 0.5 π I _{F(AV)} to 1.5 π I _{F(AV)}
Slope resistance	r _F		0.35		mΩ	T _j = 145°C, I = 0.5 π I _{F(AV)} to 1.5 π I _{F(AV)}
Reverse Recovery Current (4)	I _{RM(REC)}				A	I _{FM} = 500 A; di/dt = -10 A/s; T _{jmax}
Reverse Recovery Charge (4)	Q _{rr}				μC	I _{FM} = 500 A; di/dt = -10 A/s; T _{jmax}
Reverse Recovery Time (4)	t _{rr}				μs	I _{FM} = 500 A; di/dt = -10 A/s; T _{jmax}

Parameter	Symbol	Min.	Max.	Typ.	Units	Conditions
Operating temperature	T_j	-40	+145		°C	
Storage temperature	T_{stg}	-40	+145		°C	
Thermal resistance - junction to case	$R_{\Theta(j-c)}$		0.022		°C/W	Double sided cooled
Thermal resistance - case to heatsink	$R_{\Theta(c-s)}$		0.005		°C/W	Double sided cooled
Mounting force	P			20	kN	
Weight	W			0.60	kg.	

* Mounting surfaces smooth, flat and greaseless

CASE OUTLINE AND DIMENSIONS

